

*Initial configuration of
the machine at the exit
of our workshops*



| PARTS LIST FIGURE N° 1 RD 145 UP - 2599 | | | Revised the 04/09/2013 |
|---|------------------------------|------------------|---------------------------|
| ITEM | DESIGNATION | PARTS REFERENCES | |
| | | RD 145 | QTE |
| 1 | CONICAL BOLT | 4000.1063 | 1 |
| 2 | INERTIA WHEEL | 5100.800.1004 | 1 |
| 3 | HH SCREW M 10 - 30 | 850.2002 | 4 |
| | WASHER W 10 | 695.1014 | 4 |
| 4 | LEFT LIFT ARM | 5100.760.D032 | 1 |
| 5 | AXLE Ø19 | 120.1005 | 1 |
| 6 | HH SCREW M 10 -25 | 850.2003 | 4 |
| | WASHER W 10 | 695.1014 | 4 |
| | WASHER MU 10 | 695.1017 | 4 |
| 7 | GUARD CONE | 093.1001 | 1 |
| 8 | O-RING SEAL 73 X 3.5 | 400.1012 | 1 |
| 9 | HSHC SCREW M 10 -25 | 850.3024 | 4 |
| 10 | TRUMPET | 095.1022 | 1 |
| 11 | SECONDARY SHAFT | 100.1097 | 1 |
| 12 | BEARING 6209 | 690.1011 | 1 |
| 13 | CIRCLIP 85 INT. | 190.1007 | 1 |
| 14 | CIRCLIP 45 EXT. | 190.1003 | 2 |
| 15 | LIP SEAL 45 X 85 X 10 DL | 400.1001 | 1 |
| 16 | SPACER BUSHING | 139.1004 | 1 |
| 17 | LINCH PIN Ø11 | 340.1001 | 2 |
| 18 | DOUBLE AXLE 22 X 28 | 120.1006 | 2 |
| 19 | HOOD | 5145.770.1111 | 1 |
| 20 | HH SCREW M 10 -25 | 850.2003 | 4 |
| | HEX NUT M10 | 260.1011 | 4 |
| | BLADE BOLT | 4000.001 | 4 |
| | HH SCREW M 10 -30 | 850.2002 | 2 |
| | HEX NUT M10 | 260.1011 | 2 |
| 21 | LEFT SIDE | 5100.195.1001 | 1 |
| 22 | CHAIN 38 LINKS - 31.75 PITCH | 175.1001 | 1 |
| 23 | CHAIN SPROCKET 13 TEETH | 600.1001 | 1 |
| 24 | CIRCLIP 40 EXT. | 190.1001 | 1 |
| 25 | CORK SEAL | 420.1001 | 1 |
| 26 | CHAIN CASE | 180.1002 | 1 |
| 27 | FILLER CAP | 155.1003 | 1 |
| 28 | HH SCREW M 10 -30 | 850.2002 | 1 |
| | HEX NUT M10 | 260.1011 | 1 |
| 29 | SHOE | 5100.710.1001 | 1 |

Initial configuration of the machine at the exit of our workshops

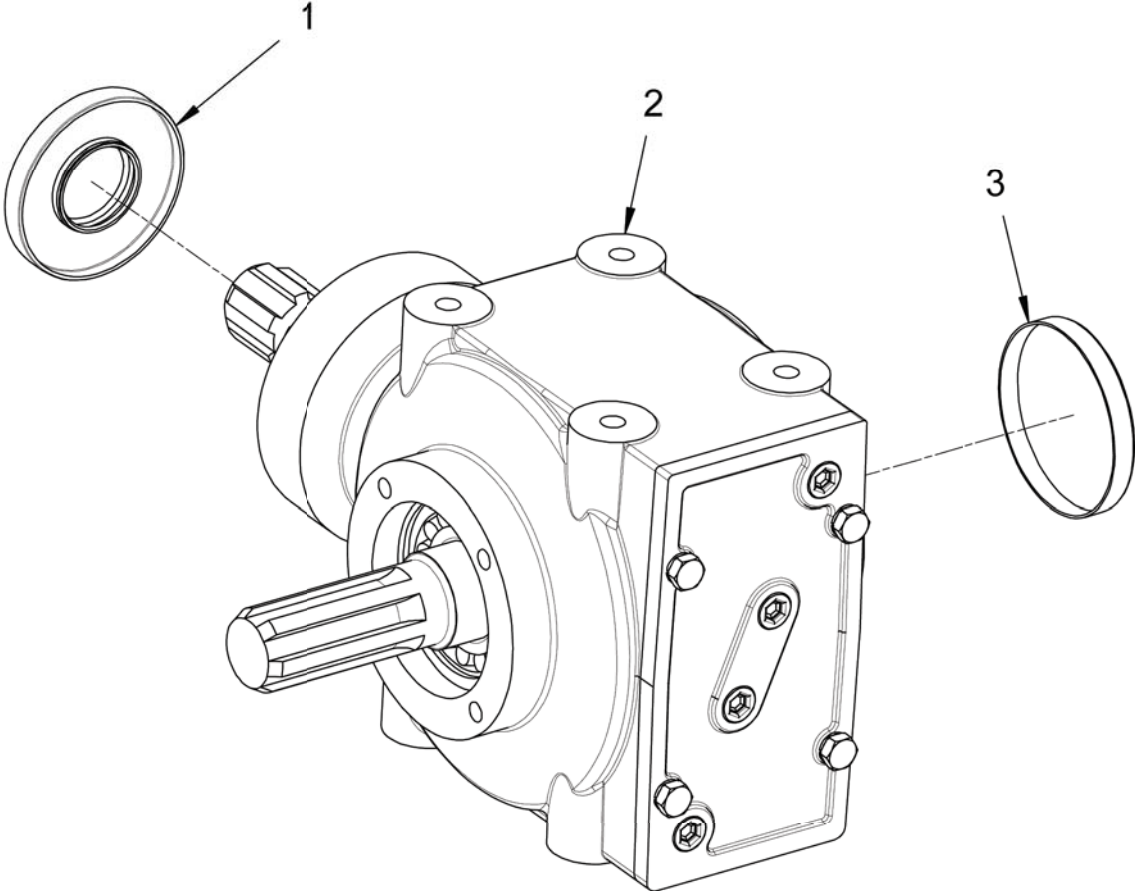
| PARTS LIST FIGURE N° 1 RD 145 UP - 2599 | | | Revised the 04/09/2013 |
|---|--------------------------|------------------|---------------------------|
| ITEM | DESIGNATION | PARTS REFERENCES | |
| | | RD 145 | QTE |
| 30 | COPPER SEAL | 410.1001 | 1 |
| 31 | CHAIN CASE CAP | 155.1002 | 1 |
| 32 | HEX HEAD PLUG G 3/8 | 155.1001 | 1 |
| 33 | HH SCREW M 8-30 | 850.2021 | 10 |
| | HEX NUT M 8 | 260.1010 | 10 |
| 34 | HH SCREW M 10 - 90 | 850.2001 | 1 |
| | HEX NUT M10 | 260.1011 | 1 |
| 35 | HH SCREW M 16-110 | 850.2010 | 1 |
| | HEX NUT M 16 | 260.1015 | 1 |
| 36 | HH SCREW M 16-50 | 850.1016 | 1 |
| 37 | SHOCK ABSORBER MOUNTING | 145.1001 | 1 |
| 38 | BELLEVILLE WASHER | 695.1032 | 2 |
| 39 | FRONT CLUTCH PLATE | 5130.250.1004 | 1 |
| 40 | SPLINED BUSHING | 140.1001 | 1 |
| 41 | RING OF FRICTION D.U. | 130.1001 | 1 |
| 42 | CHAIN SPROCKET 16 TEETH | 5100.600.1002 | 1 |
| 43 | REAR CLUTCH PLATE | 5130.250.1003 | 1 |
| 44 | CIRCLIP 100 INT. | 190.1006 | 1 |
| 45 | HH SCREW M 12-60 | 850.2009 | 2 |
| | HEX NUT M12 | 260.1012 | 2 |
| | HEX NUT M12 | 260.1014 | 2 |
| 46 | BEARING 6309 C3 | 690.1003 | 1 |
| 47 | HH SCREW M 16-80 | 850.1015 | 1 |
| | HEX NUT M 16 | 260.1016 | 1 |
| 48 | SPRING | 660.1005 | 2 |
| 49 | CHAIN TENSIONER | 5100.730.1001 | 1 |
| 50 | LIP SEAL 54 X 72 X 10 DL | 400.1005 | 1 |
| 51 | HH SCREW 1/2 - 43 | 850.1003 | 6 |
| | HEAVY HEX NUT 1/2 | 260.1002 | 6 |
| 52 | FELT SEAL | 415.1001 | 1 |
| 53 | ELBOW UNION G 13-8X13 | 265.1002 | 1 |
| 54 | DRIVE PLATE | 5100.630.1005 | 1 |
| 55 | HH SCREW M 12-80 | 850.2014 | 2 |
| | HEX NUT M12 | 260.1014 | 2 |
| 56 | LEFT BLADE | 450.1002 | 24 |
| 57 | RIGHT BLADE | 450.1001 | 24 |
| 58 | BLADE BOLT | 4000.001 | 96 |

Initial configuration of the machine at the exit of our workshops

| PARTS LIST FIGURE N° 1 RD 145 UP - 2599 | | | Revised the 04/09/2013 |
|---|--------------------------|------------------|---------------------------|
| ITEM | DESIGNATION | PARTS REFERENCES | |
| | | RD 145 | QTE |
| 59 | GRID FINGER | 210.1001 | 49 |
| 60 | FINGERS CLAMP | 150.1001 | 12 |
| 61 | HSHC SCREW M 10 -35 | 850.3002 | 48 |
| | HEX NUT M10 | 260.1011 | 48 |
| 62 | GRID | 5145.770.1018 | 1 |
| 63 | ROTOR | 5145.760.1026 | 1 |
| 64 | SMALL PLATE | 5150.630.1003 | 1 |
| 65 | HH SCREW 1/2 - 38 | 850.1002 | 6 |
| | HEAVY HEX NUT 1/2 | 260.1002 | 6 |
| 66 | RIGHT SIDE | 5100.195.1002 | 1 |
| 67 | LIP SEAL 40 X 58 X 10 DL | 400.1002 | 1 |
| 68 | BEARING 22206 | 690.1017 | 1 |
| 69 | WASHER 30 * 40 * 2 | 695.1028 | 1 |
| 70 | CIRCLIP 30 EXT. | 190.1002 | 1 |
| 71 | CAP | 178.1004 | 1 |
| 72 | HSHC SCREW M 8 - 25 | 850.3003 | 3 |
| 73 | HEX HEAD PLUG G 3/8 | 155.1001 | 1 |
| 74 | REAR FLAP | 770.1019 | 1 |
| 75 | HH SCREW M 12-130 | 850.2013 | 3 |
| | HEX NUT M12 | 260.1012 | 3 |
| 76 | GRID HINGE | 5100.240.1005 | 3 |
| 77 | HH SCREW M 12-25 | 850.1010 | 6 |
| | HEX NUT M12 | 260.1012 | 6 |
| 78 | COMPLETE TRANSFER CASE | 095.1002 | 1 |
| 79 | HH SCREW M 12-30 | 850.2016 | 4 |
| | WASHER W 12 | 695.1019 | 4 |
| 80 | 3-POINT HITCH | 5100.750.1041 | 1 |
| 81 | RIGHT LIFT ARM | 5100.760.D032 | 1 |
| 82 | HH SCREW M 10 -75 | 850.1013 | 2 |
| | HEX NUT M10 | 260.1011 | 2 |
| 83 | LINCH PIN Ø11 | 340.1004 | 1 |

CASE SET RD 145

Figure N°2

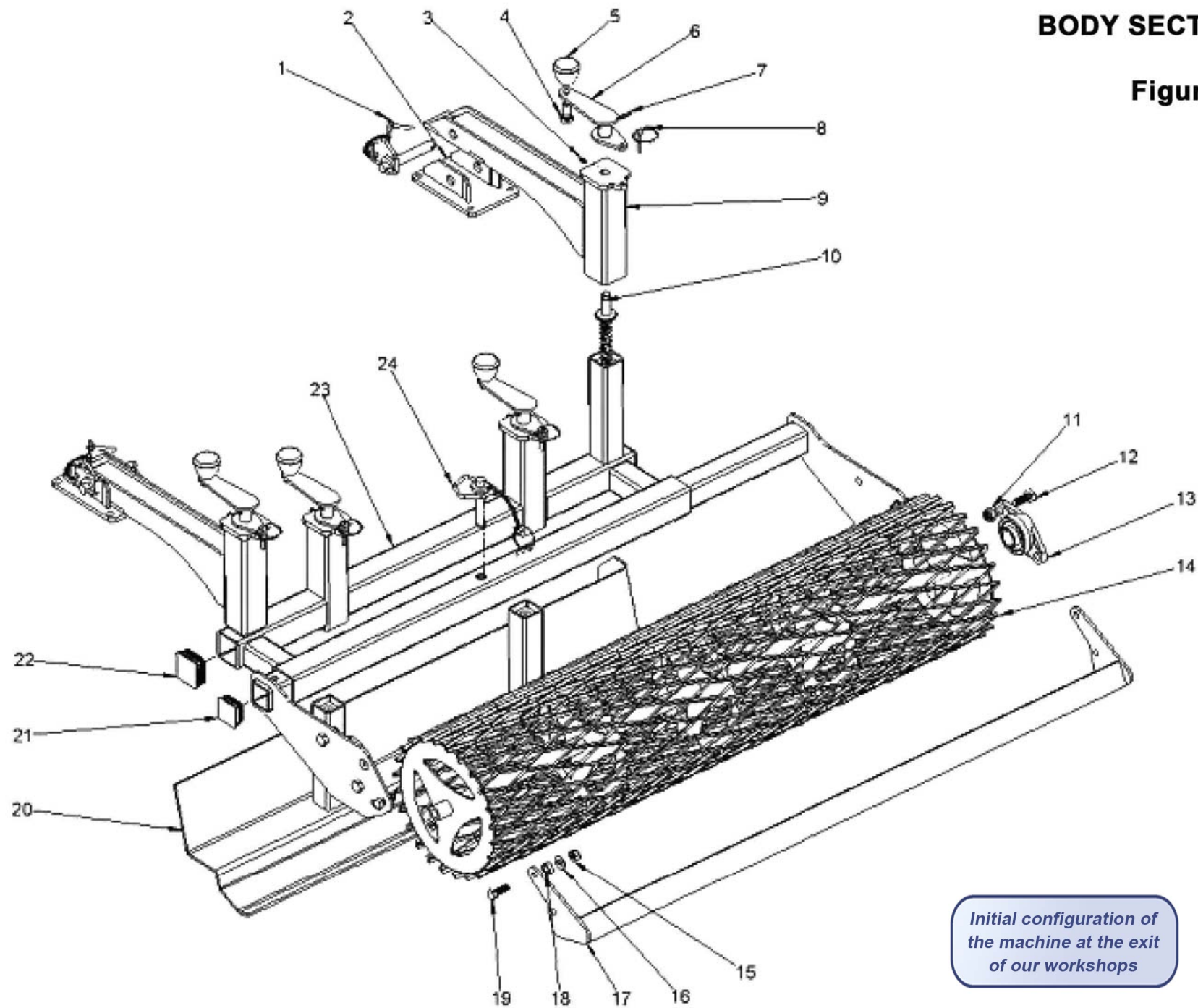


Initial configuration of the machine at the exit of our workshops

| PARTS LIST FIGURE N° 2 RD 145 UP - 2599 | | Revised the 04/09/2013 | |
|---|---------------------------|---------------------------|-----|
| ITEM | DESIGNATION | PARTS REFERENCES | |
| | | RD 145 | QTE |
| 1 | LIP SEAL Ø 80/Ø 35/ 10 DL | 400-1016 | 1 |
| 2 | COMPLETE TRANSFER CASE | 095-1002 | 1 |
| 3 | COVER Ø 80 x 10 | 400-1017 | 1 |

BODY SECTION RD 145

Figure N°3



Initial configuration of the machine at the exit of our workshops



| PARTS LIST FIGURE N° 3 RD 145 UP - 2599 | | | Revised the 04/09/2013 |
|---|------------------------------------|------------------|---------------------------|
| ITEM | DESIGNATION | PARTS REFERENCES | |
| | | RD 145 | QTE |
| 1 | HITCH PIN WITH HANDLE Ø19 L 115 | 151.1002 | 2 |
| 2 | ARM BRACKET | 5100.270.1005 | 2 |
| 3 | OILER M8 | 320.1001 | 4 |
| 4 | HH SCREW M 14-30 | 850.2005 | 4 |
| 5 | CRANK HANDLE M14 | 610.1001 | 4 |
| 6 | CRANK | 5100.640.1001 | 4 |
| 7 | DOWEL PIN Ø 6 X 25 | 340.1007 | 4 |
| 8 | LINCH PIN Ø6 | 340.1005 | 4 |
| 9 | FRAME ARM | 5100.270.1004 | 2 |
| 10 | FRAME SCREW | 5100.850.1039 | 4 |
| 11 | HEX NUT M14 | 260.1013 | 4 |
| 12 | HH SCREW M 14-40 | 850.2006 | 4 |
| 13 | CAST IRON BEARING HOUSING UCFL 206 | 690.1021 | 2 |
| 14 | ROLLER | 5060.505.1010 | 1 |
| 15 | HEX NUT M 12 | 260.1012 | 4 |
| 16 | WASHER MU 12 | 695.1018 | 4 |
| 17 | SCRAPER | 5060.725.1006 | 1 |
| 18 | SOCKET | 240.1030 | 2 |
| 19 | HH SCREW M 12-35 | 850.2018 | 4 |
| 20 | LEVELLING BLADE | 5145.450.1027 | 1 |
| 21 | PLASTIC CAP 50 x 50 | 156.1001 | 2 |
| 22 | PLASTIC CAP 60 x 60 | 156.1002 | 2 |
| 23 | FRAME | 5145.750.1136 | 1 |
| 24 | HITCH PIN WITH HANDLE Ø19 L 90 | 151.1001 | 1 |